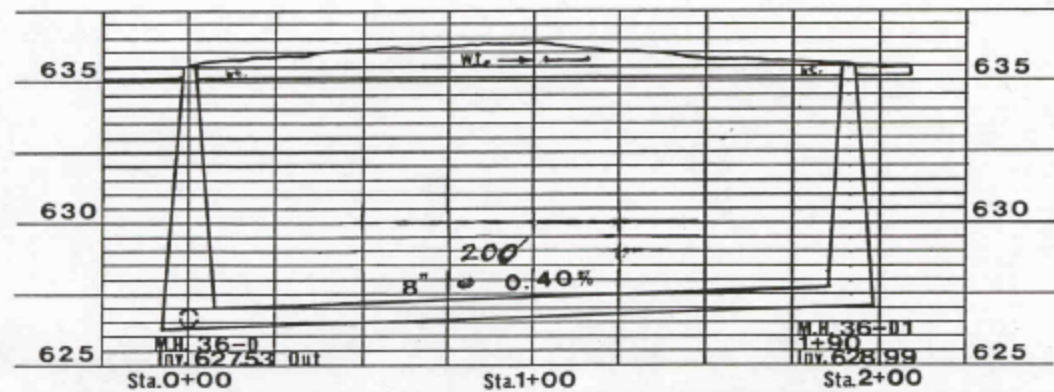
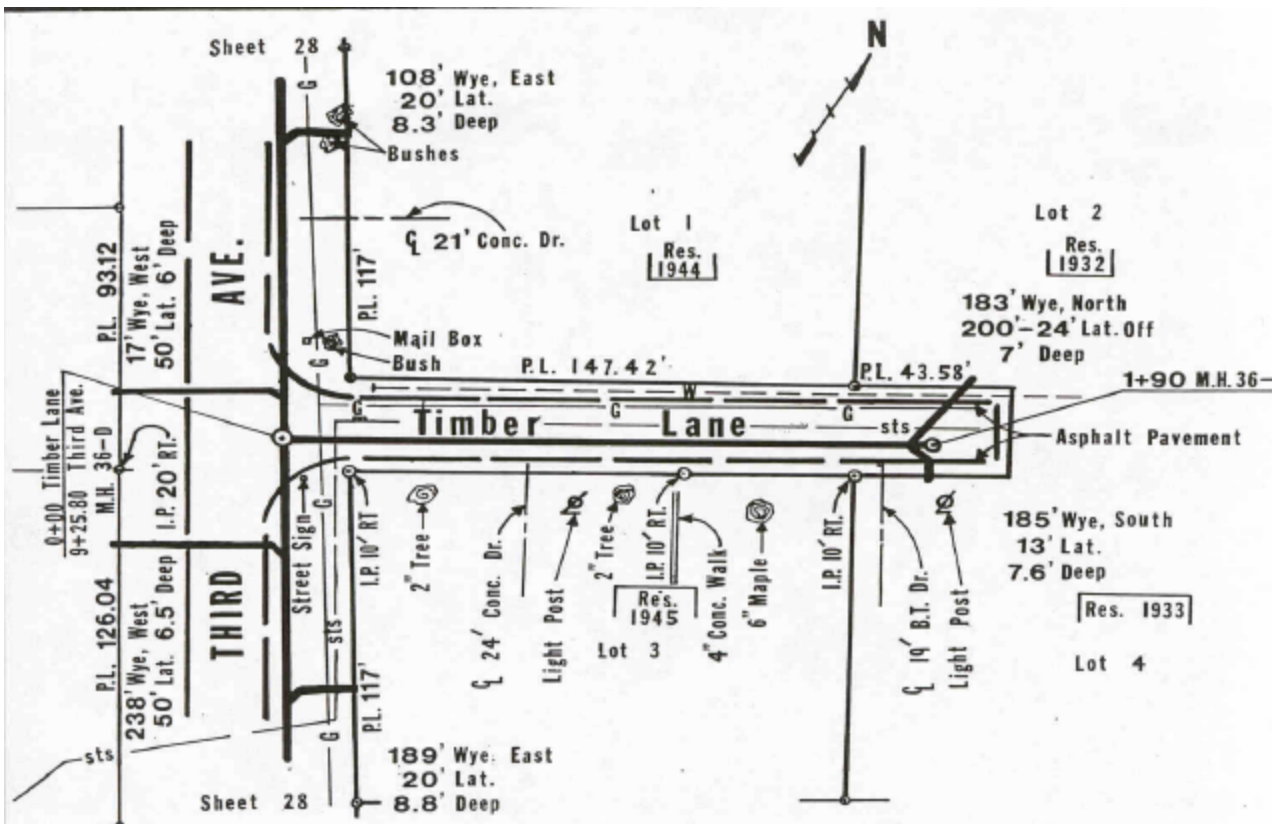


APPENDIX D

Sanitary Engineering Department

Typical "As Built" Sheet



<p>Rev. 78 by D.B.</p> <p>Scale: 1"=5' Vert. 1"=50' Hor.</p>	<p>TYPICAL</p> <p>"AS BUILT"</p> <p>PLAN & PROFILE SHEET</p>	<p>Sanitary Engineering Department</p> <hr/> <p>Approved _____ Date _____</p> <p>Sanitary Engineer _____</p>
--	---	--