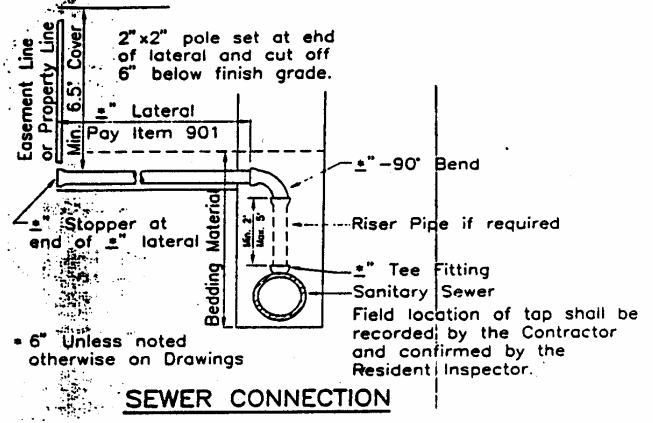
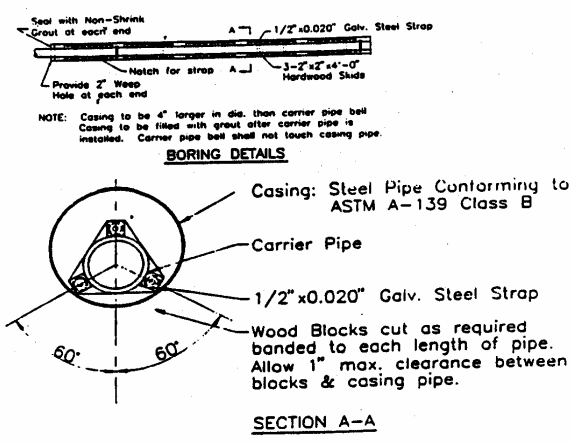


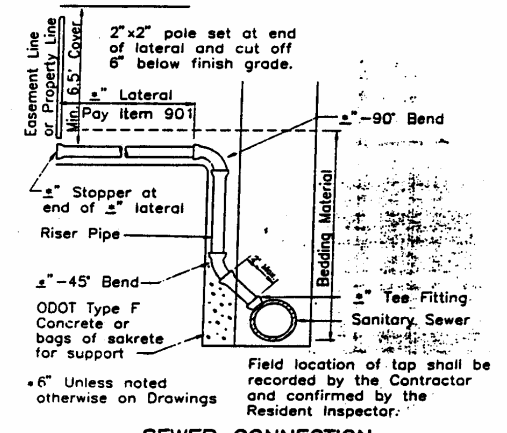
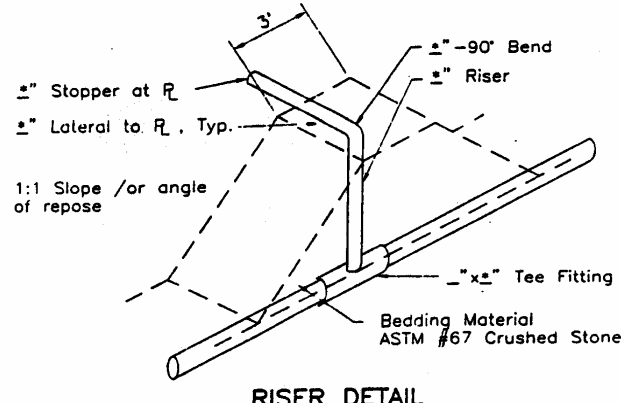
# APPENDIX B

## Sanitary Engineering Department

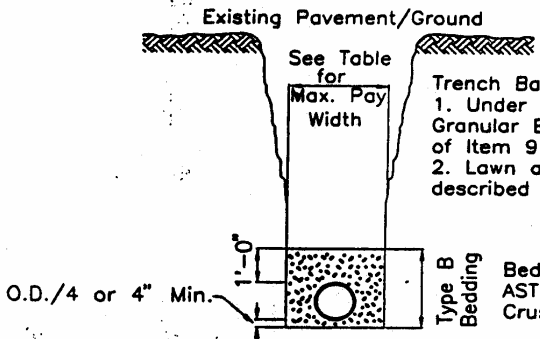
### General Details



For Mainline Sewers 12' Deep or Less Tee in Vertical Position



For Mainline Sewers over 12' Deep Tee at 45° Angle



**TYPICAL SEWER TRENCH**

Pipe Size	6" - 12"	15" - 21"	24" - 27"
Max. Pay Trench Width	36"	42"	48"
Max. Pay Pavement Width	6'-0"	6'-6"	7'-0"

**MAXIMUM PAY WIDTH TABLE**

